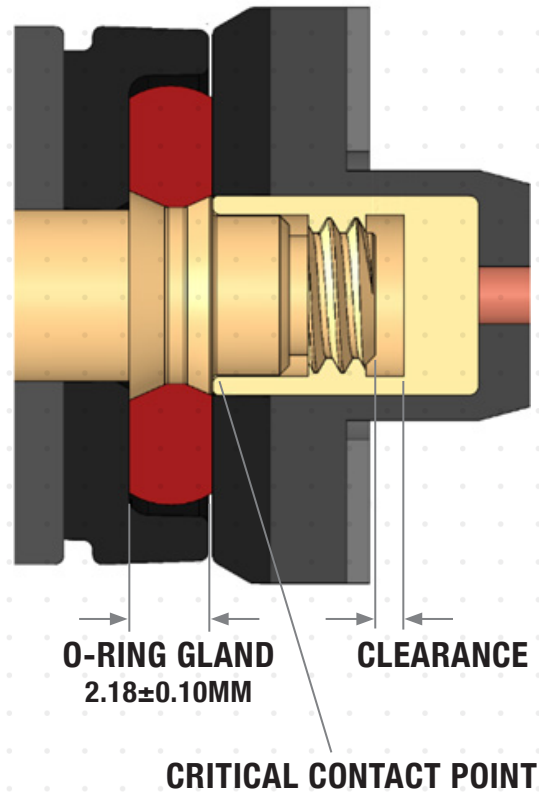


1

WHAT IT IS

An underwater connector based on an open standard for plug-and-play hardware interfaces for marine applications

CRITICAL CONTACT SURFACE AND CLEARANCES FOR MATED SOCKET AND PLUG ASSEMBLY

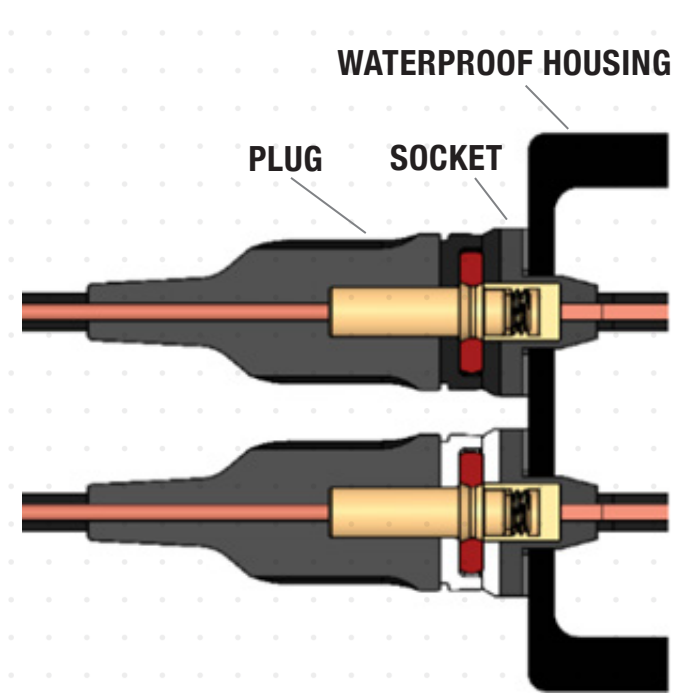


2

HOW IT WORKS

Conductors sealed with O-rings waterproof to 300 m, wet-mateable, long-dwell constant exposure

A SINGLE BRISTLEMOUTH CONNECTION REQUIRING TWO SEPARATE PAIRS OF PLUGS AND SOCKETS

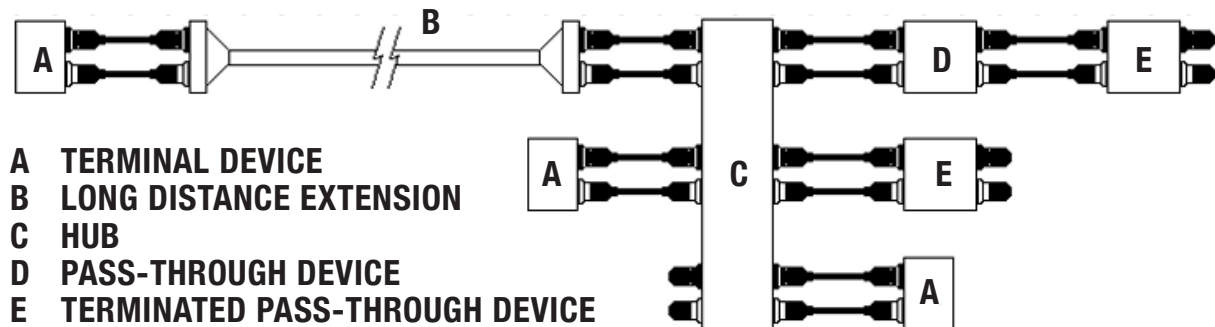
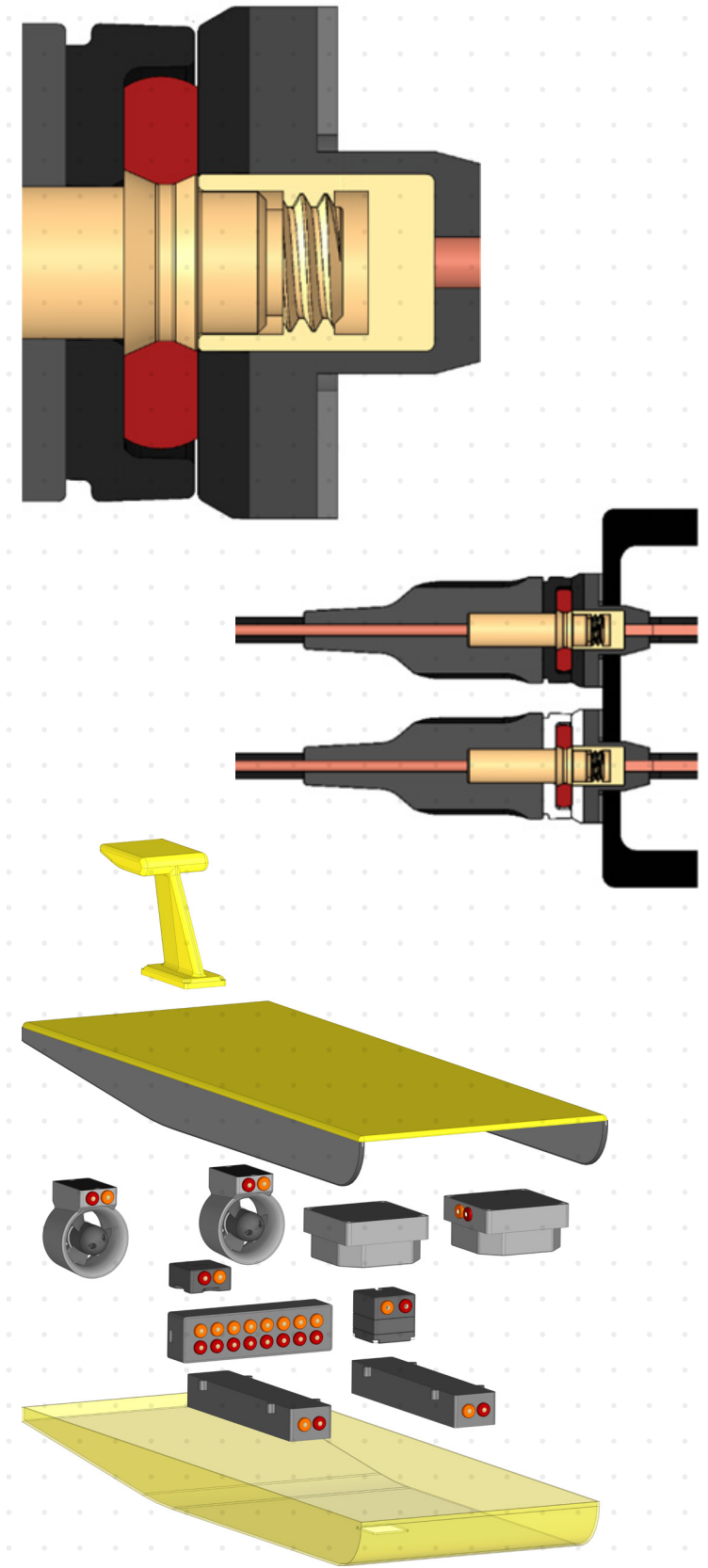
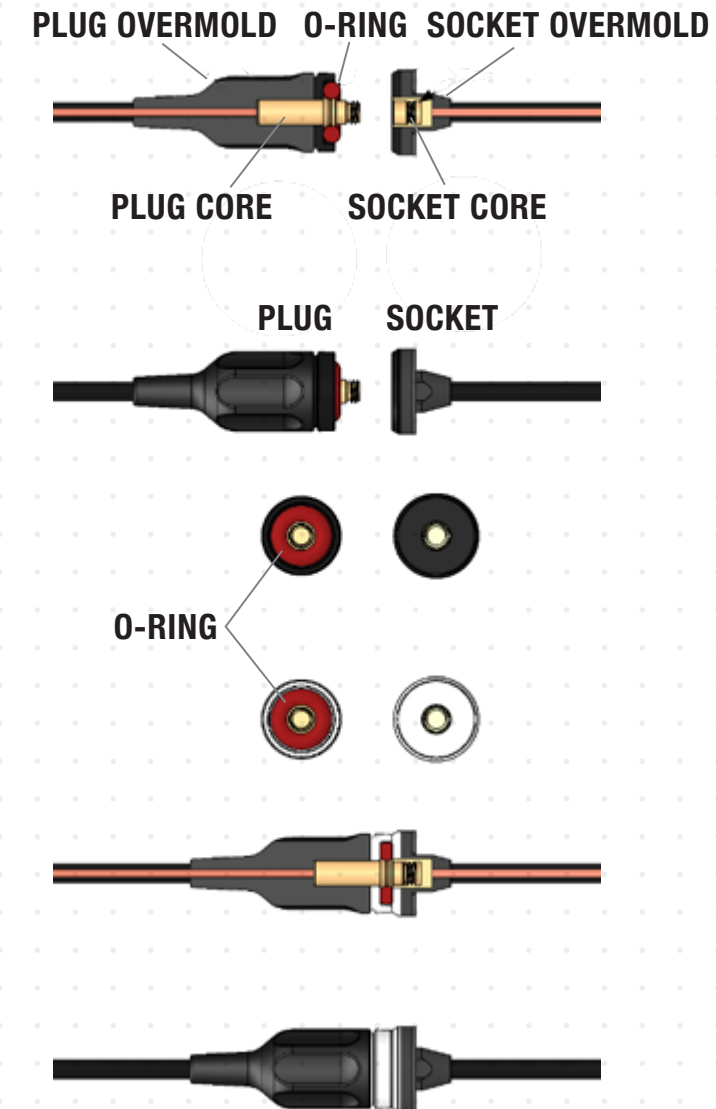


3

WHAT IT ENABLES

A protocol for building modular underwater robots

EXAMPLE OF UNMATED AND MATED CONNECTOR



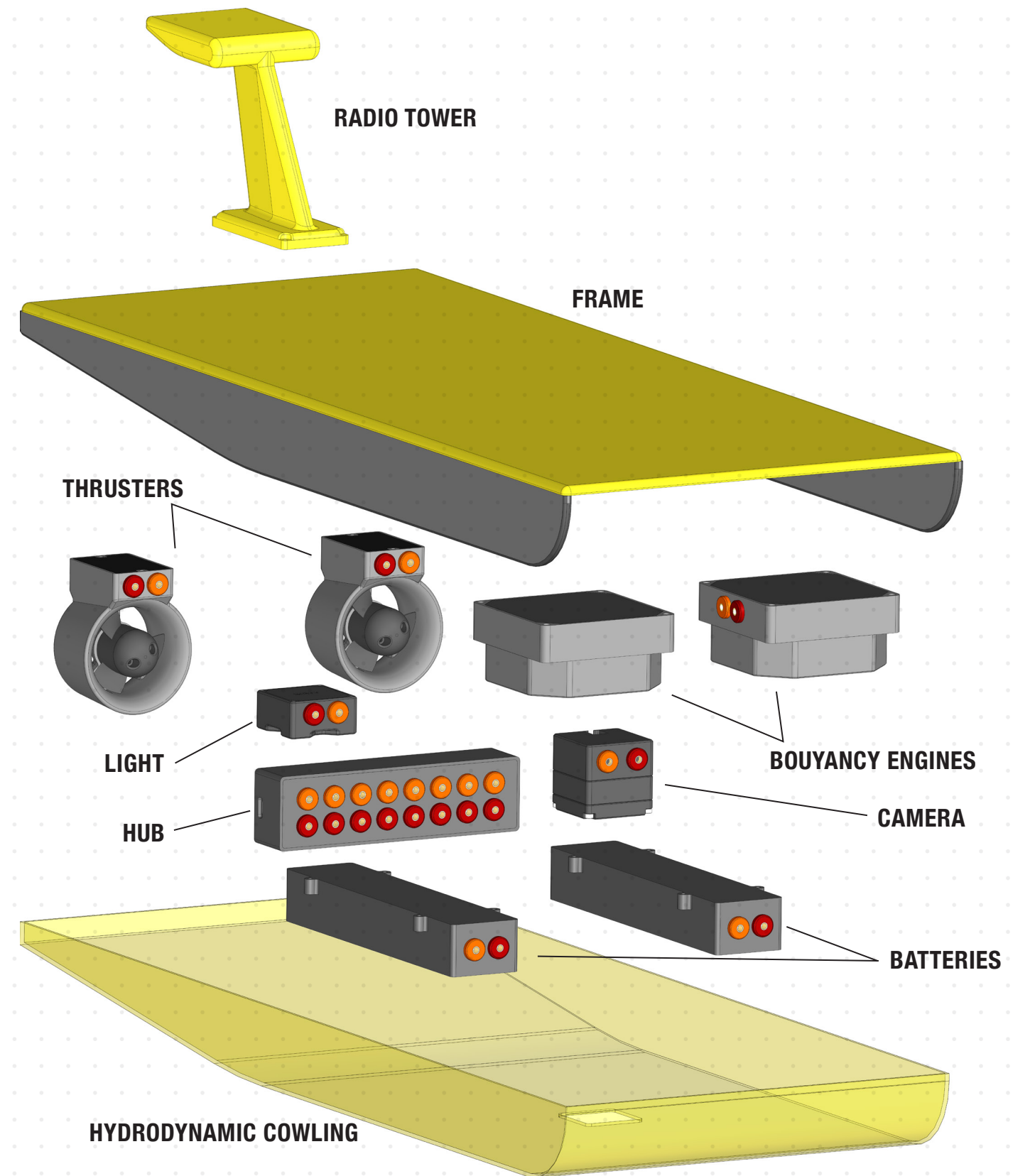
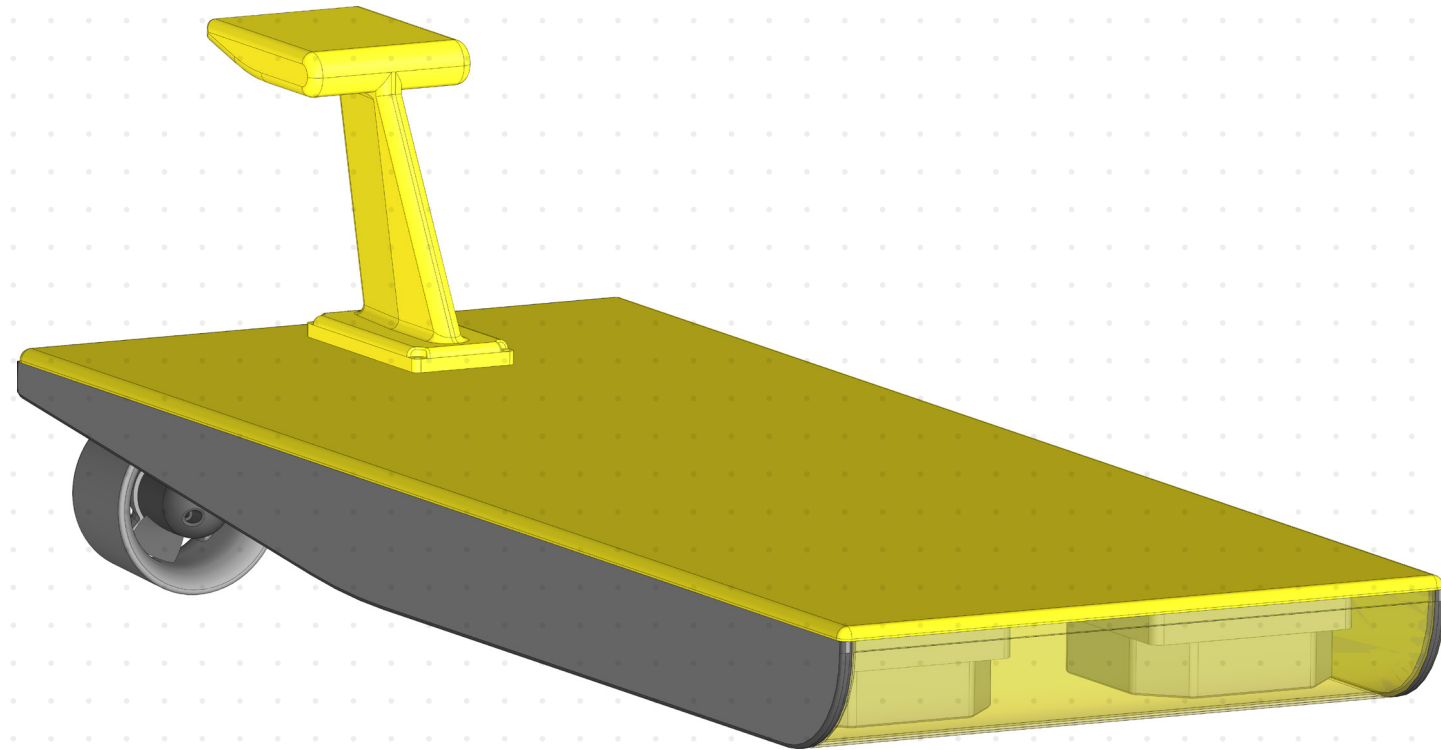
- A TERMINAL DEVICE
- B LONG DISTANCE EXTENSION
- C HUB
- D PASS-THROUGH DEVICE
- E TERMINATED PASS-THROUGH DEVICE

The Bristlemouth Connector

ProtocolKit

BRISTLEMOUTH AUV

A reference design to showcase the possibilities of modular design. Modules can be reassembled into new vehicle designs and quickly configured to mission needs.



Summer of Protocols

summerofprotocols.com

© 2023 Ethereum Foundation
All contributions are the property of their respective authors and are used by Ethereum Foundation under license. All contributions are licensed by their respective authors under CC BY-NC 4.0. After 2026-12-13, all contributions will be licensed by their respective authors under CC BY 4.0.



LEARN MORE ABOUT THE BRISTLEMOUTH CONNECTOR AT [WWW.BRISTLEMOUTH.ORG](https://www.bristlemouth.org)